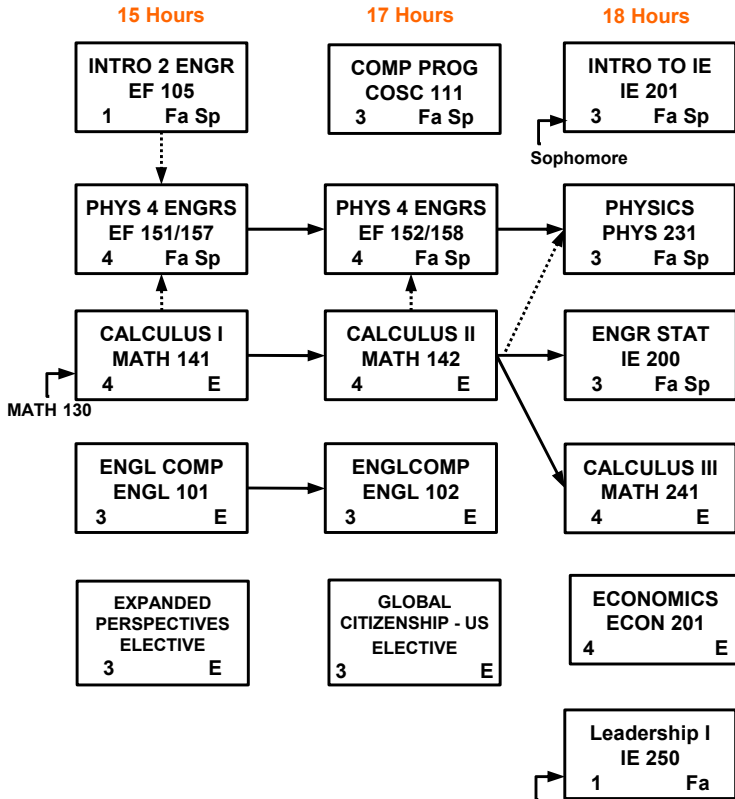
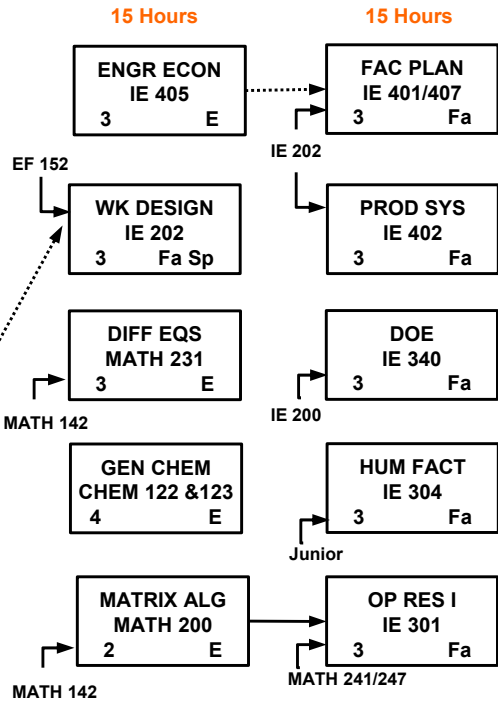


Industrial Engineering Undergraduate Curriculum Flow Chart, Fall 2024

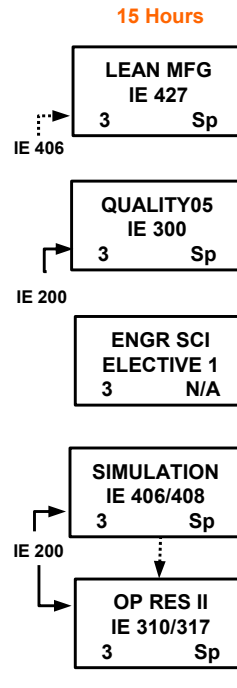
FIRST YEAR (32 HOURS)



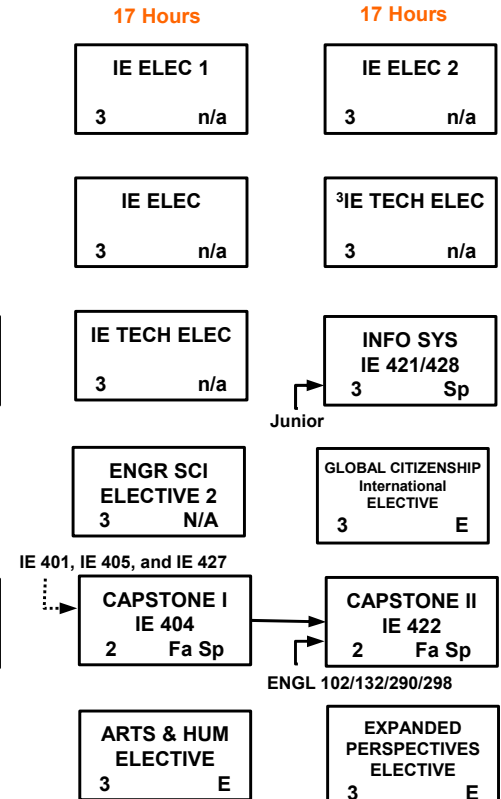
SECOND YEAR (33 HOURS)



THIRD YEAR (30 Hours)



FOURTH YEAR (34 Hours)



Key

Course number: HUM FACT IE 304

Credit Hours: 3

Semesters offered: Fa

Course name: HUM FACT

Semesters offered: Fa: Fall, Sp: Spring, E: Every semester

Corequisite course: (dotted arrow)

prerequisite course: (solid arrow)

Popular minors for IE Major

- Reliability and Maintainability Engineering
- Business Administration
- Engineering Entrepreneurship
- Engineering Management
- Data Science

Popular IE and Tech Electives

- IE 430 – Supply Chain Engineering, Fall only
- IE 483 – Introduction to Reliability Engineering, Fall only
- IE 457 – Engineering Entrepreneurship, Fall only
- IE 452 – Project Planning and Organizational Mgmt, Fall only
- IE 423 – Industrial Safety, Spring only
- IE 484 – Introduction to Maintainability Engineering, Spring only
- IE 465 – Applied Data Science, Spring only
- IE 444 – Manufacturing Systems Modeling & Analysis, spring only

Other Popular Tech Electives (often these have pre-reqs)

- ENT 350 – Introduction to Entrepreneurship
- MARK 300 – Marketing and Supply Chain Mgmt
- MGT 300 – Organizational Mgmt
- FINC 300 – Fundamentals of Finance
- DSGN 430 – Design Thinking and Innovation
- EF 403 – Pathways to Success for Engineering (1 credit, spring only)
- 400-level ENT classes (Entrepreneurship)
- 300-level ECON classes (Economics)
- 300 or 400-level engineering classes from other disciplines

Popular Engineering Science Electives

- ECE 301 – Circuits and Electro Mechanical Components
- MSE 201 – Introduction to Materials Science and Engineering
- DATA 101 – Data Knowledge and Discovery
- EF 305 – Engineering Approaches to Sustainability
- ME 202 – Engineering Mechanics
- and IE 130 – Survey of Engineering Entrepreneurship or EF 230 – Computer Solution of Engineering Problems
- ME 231 – Dynamics
- ME 331 – Thermodynamics

Tickle College of Engineering Academic Plan

Name: _____ College: TCE Student ID: _____ Major: _____

 Semester 20

Department Name	Course #	Credits
_____	_____	_____
_____	_____	_____
_____	_____	_____
_____	_____	_____
_____	_____	_____
_____	_____	_____
_____	_____	_____
Total	_____	_____

 Semester 20

Department Name	Course #	Credits
_____	_____	_____
_____	_____	_____
_____	_____	_____
_____	_____	_____
_____	_____	_____
_____	_____	_____
_____	_____	_____
_____	_____	_____

 Semester 20

Department Name	Course #	Credits
_____	_____	_____
_____	_____	_____
_____	_____	_____
_____	_____	_____
_____	_____	_____
_____	_____	_____
_____	_____	_____
_____	_____	_____

 Semester 20

Department Name	Course #	Credits
_____	_____	_____
_____	_____	_____
_____	_____	_____
_____	_____	_____
_____	_____	_____
_____	_____	_____
_____	_____	_____
_____	_____	_____



Have you considered...

- Engineering Professional Practice (co-op/internships)**
 110 Perkins Hall (865) 974-5323
coop.utk.edu
- Center for Career Development**
 Student Union Level 2
 (865) 974-5435
career.utk.edu
- One Stop**
 Hodges Library Ground Floor
 (865) 974-1111
onestop.utk.edu
- Student Success Center**
 Greve Hall, Room 324
 (865) 974-6641
studentsuccess.utk.edu
- Transfer Credits (Course Equivalency Tables)**
<https://tinyurl.com/utktranstable>
- Engineering Fundamentals Program (EFP)**
 207 Perkins Hall (865) 974-9810
engage.utk.edu
- Engineering Honors**
 322 Perkins Hall
 865-974-8983
honors.engr.utk.edu/admission
- Study Abroad Opportunities**
 1620 Melrose Hall
 (865) 974-3177
programsabroad.utk.edu

Comments:

Advisor Signature: Rachel Duncan Student Signature: _____ Date: _____

Type = Signature / I Agree