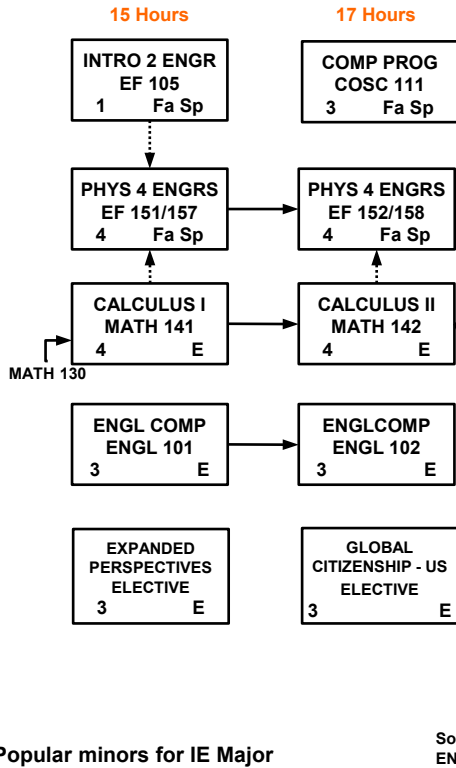
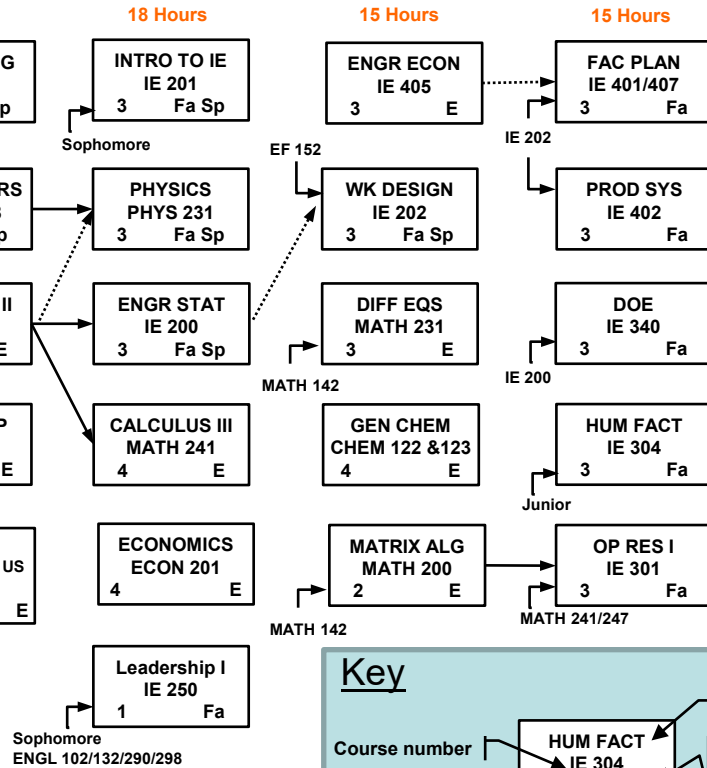


Industrial Engineering Undergraduate Curriculum Flow Chart, Fall 2022

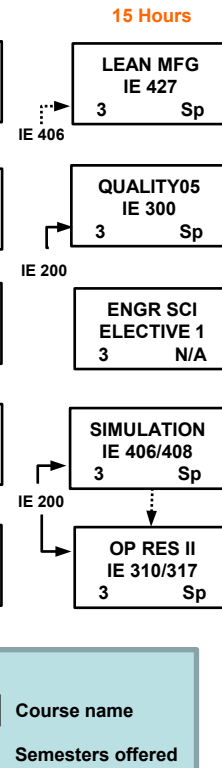
FIRST YEAR (32 HOURS)



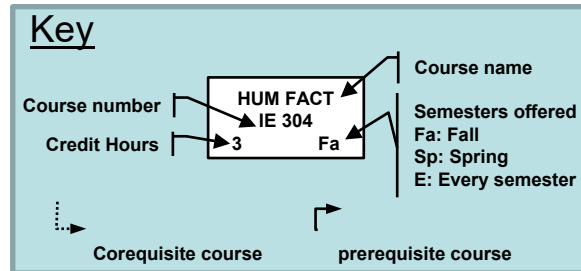
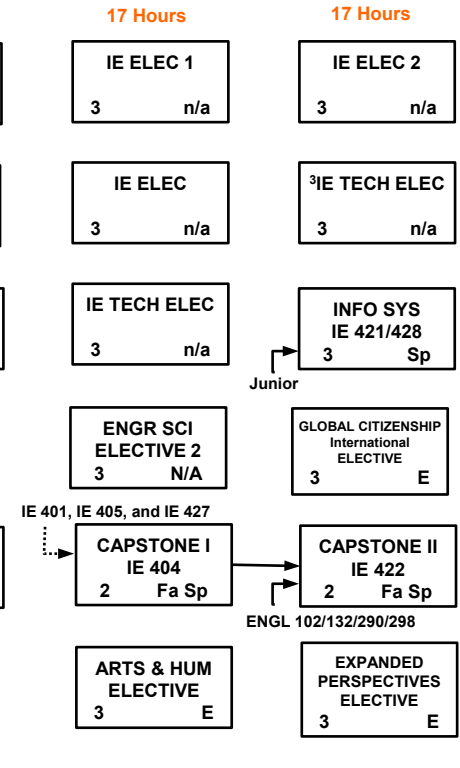
SECOND YEAR (33 HOURS)



THIRD YEAR (30 Hours)



FOURTH YEAR (34 Hours)



Popular minors for IE Major

- Reliability and Maintainability Engineering
- Business Administration
- Engineering Entrepreneurship
- Engineering Management
- Data Science

Popular IE and Tech Electives

- IE 430 – Supply Chain Engineering, Fall only
- IE 483 – Introduction to Reliability Engineering, Fall only
- IE 457 – Engineering Entrepreneurship, Fall only
- IE 452 – Project Planning and Organizational Mgmt, Fall only
- IE 423 – Industrial Safety, Spring only
- IE 484 – Introduction to Maintainability Engineering, Spring only
- IE 465 – Applied Data Science, Spring only

Other Popular Tech Electives (often these have pre-reqs)

- ENT 350 – Introduction to Entrepreneurship
- MARK 300 – Marketing and Supply Chain Mgmt
- MGT 300 – Organizational Mgmt
- FINC 300 – Fundamentals of Finance
- DSGN 430 – Design Thinking and Innovation
- DATA 301 – Data Stewardship and Ethics
- 400-level ENT classes (Entrepreneurship)
- 300-level ECON classes (Economics)
- 300 or 400-level engineering classes from other disciplines

Popular Engineering Science Electives

- ECE 301 – Circuits and Electro Mechanical Components
- MSE 201 – Introduction to Materials Science and Engineering
- DATA 201 – Data Knowledge and Discovery
- ME 202 – Engineering Mechanics
- and IE 130 – Survey of Engineering Entrepreneurship
- or EF 230 – Computer Solution of Engineering Problems
- ME 231 – Dynamics
- ME 331 – Thermodynamics